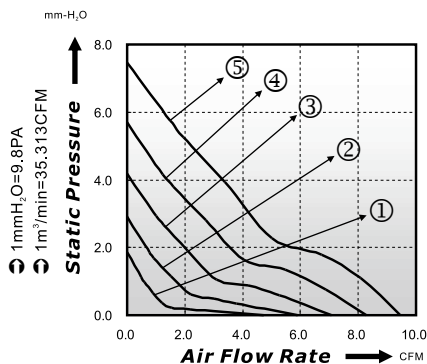


40x40x15mm

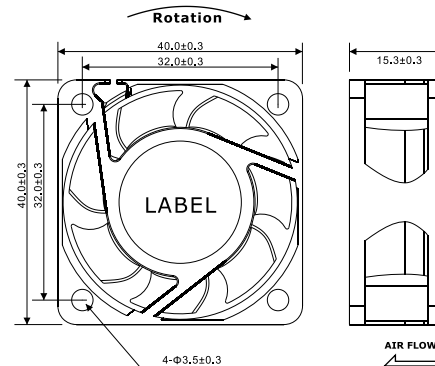


■ P-Q Curve (At Rated Voltage)



■ Dimensions Drawing

Unit: (mm)



Model No	Bearing (*)	Rated Voltage (VDC)	Rated Current (A)	Power Consumption (Watts)	Speed (rpm)	Air Flow (CFM)	Static Pressure (mmH ₂ O)	Noise (dBA)	Curve
ED04015-05L*	○ ● ⊖	5	0.20	1.00	4000	4.73	1.86	19.9	1
ED04015-05M*	○ ● ⊖	5	0.25	1.25	5000	5.91	2.91	22.1	2
ED04015-05H*	○ ● ⊖	5	0.30	1.50	6000	7.09	4.19	26.2	3
ED04015-05HH*	○ ● ⊖	5	0.40	2.00	7000	8.28	5.71	30.3	4
ED04015-12L*	○ ● ⊖	12	0.09	1.08	5000	5.91	2.91	22.1	2
ED04015-12M*	○ ● ⊖	12	0.12	1.44	6000	7.09	4.19	26.2	3
ED04015-12H*	○ ● ⊖	12	0.15	1.80	7000	8.28	5.71	30.3	4
ED04015-12HH*	○ ● ⊖	12	0.21	2.52	8000	9.46	7.45	32.8	5
ED04015-24L*	○ ● ⊖	24	0.10	2.40	5000	5.91	2.91	22.1	2
ED04015-24M*	○ ● ⊖	24	0.15	3.60	6000	7.09	4.19	26.2	3
ED04015-24H*	○ ● ⊖	24	0.20	4.80	7000	8.28	5.71	30.3	4

* Bearing Type: ○ Sleeve ● Two Ball ⊖ Hydro-Dynamic